

Amir Toliyat

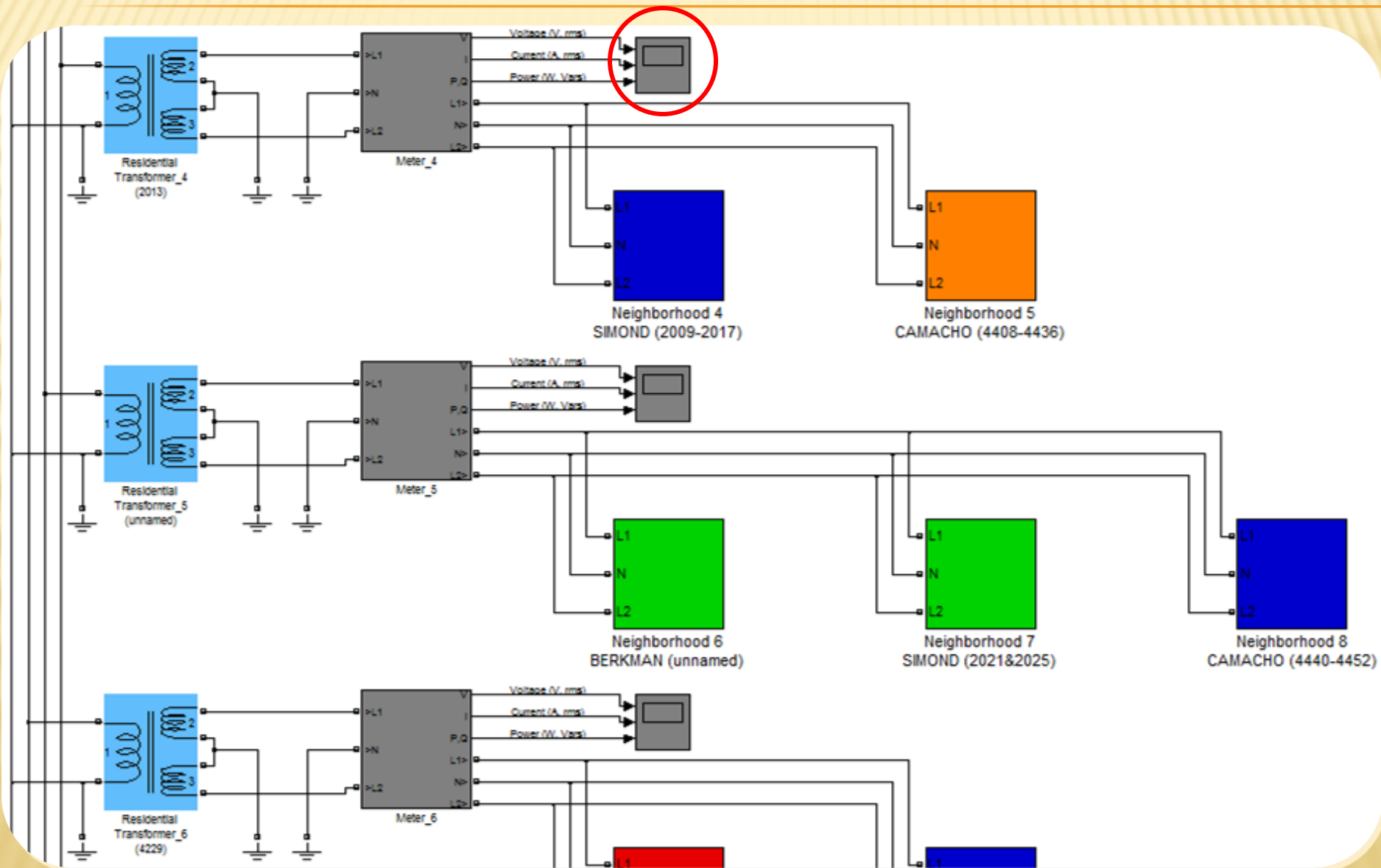
Department of Electrical & Computer Engineering

Education:

- Texas A&M University
 - Bachelor of Science - Electrical Engineering
 - Minor in mathematics
- University of Texas
 - Master of Science - Electrical Engineering
 - Ph.D. (in progress)
- Coursework: Power Systems Engineering, Power Electronics, Power Quality, Distributed Generation



SimPowerSystems Model



Simulation Output & House Data

