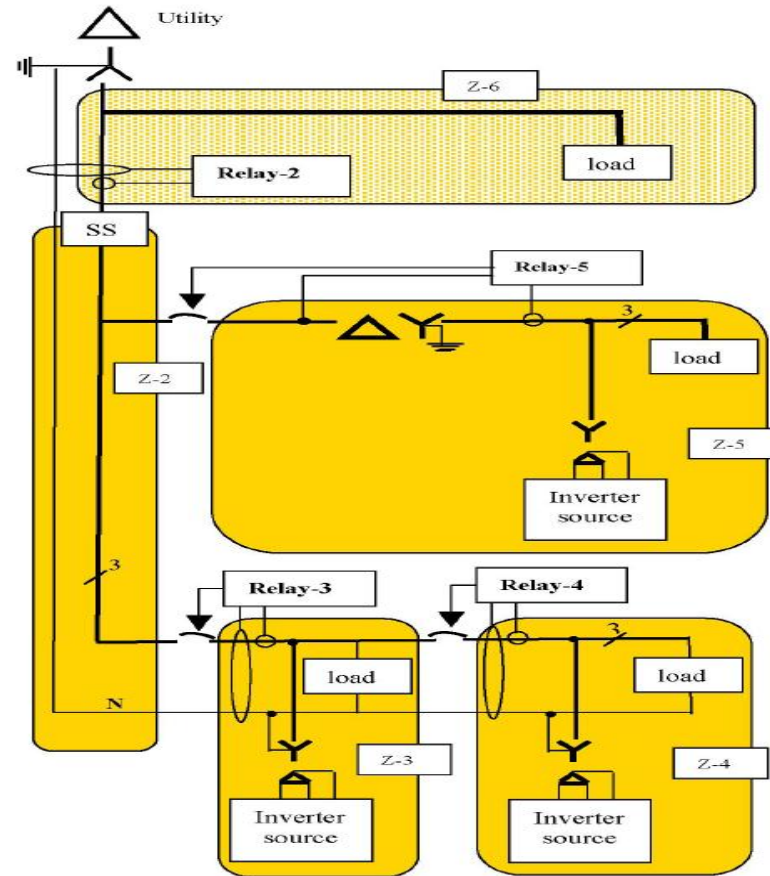


Greg Dahlberg Research Interests

- Microgrid Unavailability Modeling
- Minimal Cut Set
- Probability Theory
- Monte Carlo Simulation
- Goal 99.999% available
- Without uG: 99.9%
- Computer Simulation
- Distributed Generation
- Redundancy

- Nonlinear Differential Equations
- Exact/ Numerical Approximations
- Buck Converter



CERTS Microgrid

$$\frac{dx_1}{dt} = \frac{1}{L} (q(t)E - x_2)$$

$$\frac{dx_2}{dt} = \frac{1}{C} \left(x_1 - \frac{P_L}{x_2} \right)$$